

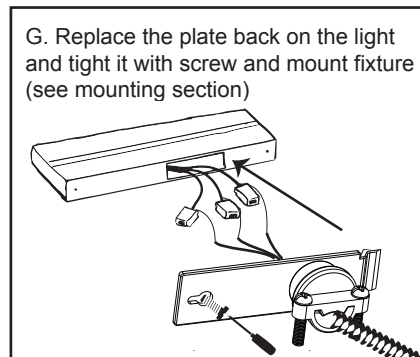
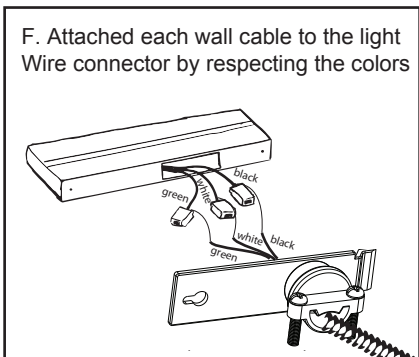
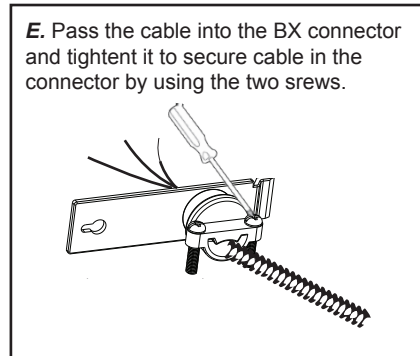
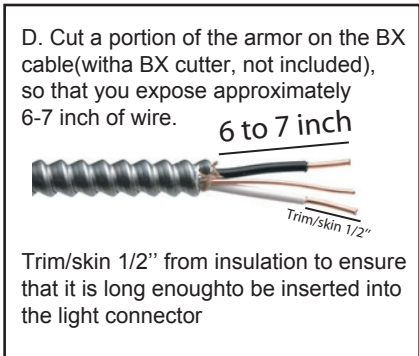
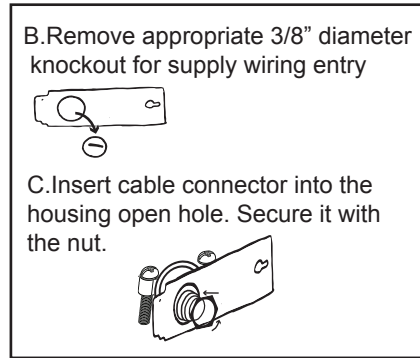
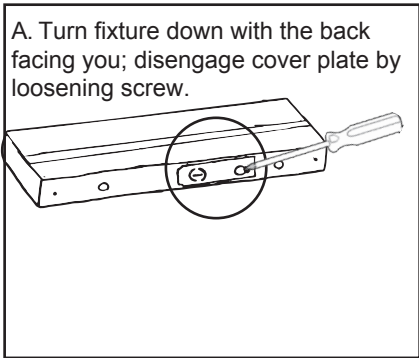
LED Undercabinet Direct Connect Light

UNSLK-7-11WCT-14-22WH

Important Safety information:

LEVITON IL4505, DZMX 1, 6674, 6672, 6681.
 LUTRON DWCL 153PH, MACL 153MH, CT600PH, S600H.
 EATON TAL06P1C2, DAL06P, AAL06.
 COOPER R130P VWKW, SAL06P WK
 DIVA DV-600P

1. Hard-Wire Installation preparation. (Skip this step if using to Outlet or Cord Link to fixture installation)



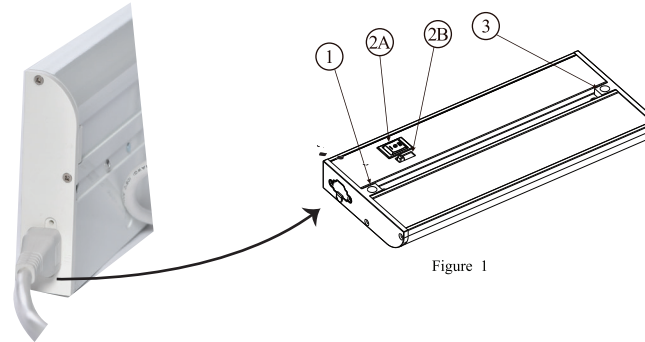
Assembly Instruction:

1. Preparation for Installation.

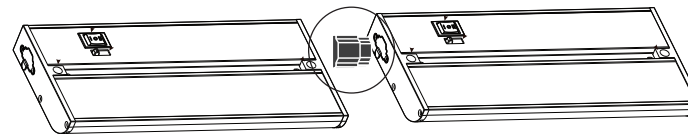
- Disconnect electrical power before installing or servicing any part of this fixture
- Place fixture on a clean and flat surface.
- Determine input power connection method (cord, hard-wire or link) and follow corresponding directions below

2. Cord to Outlet Installation (Skip this step if using Hard-wire or Link to fixture installation)

- Fixture must be mounted within 6' of an outlet. Locate the 6' power cord (sold separately)
- Connect cord to fixture by snapping the quick connect end of the cord to the corresponding connector in the end of the fixture marked "IN". The cord will only connect to the "IN" connector so make sure the right connector is identified. Do not force the connection, it should snap in easily

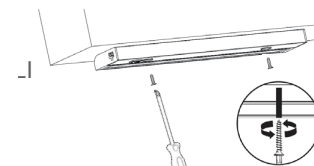


3. Link units together with butt connector



4. Mounting

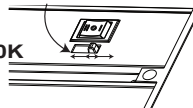
- Using captive screw hole location position the fixture in location intended for mounting.
- Mark hole locations by using the screw-holes as a guide. Drill suitable holes in the marked positions.
- Mount the housing to desired surface with the 2 captive screws



CHOOSE YOUR AMBIANCE

SLIDE THE SWITCH
 FRONT BACK AND FRONT
 AND SEE THE COLOR CHANGES

soft white 2700K
 neutral white 3500K
 cool white 4000K



QUESTIONS?

E: info@nadair.com
 Tél: 1 (800) 776-7891
www.nadair.com



NADAIR[®]
 since 1980

IS-UNSLK-7-11WCT-14-22WH